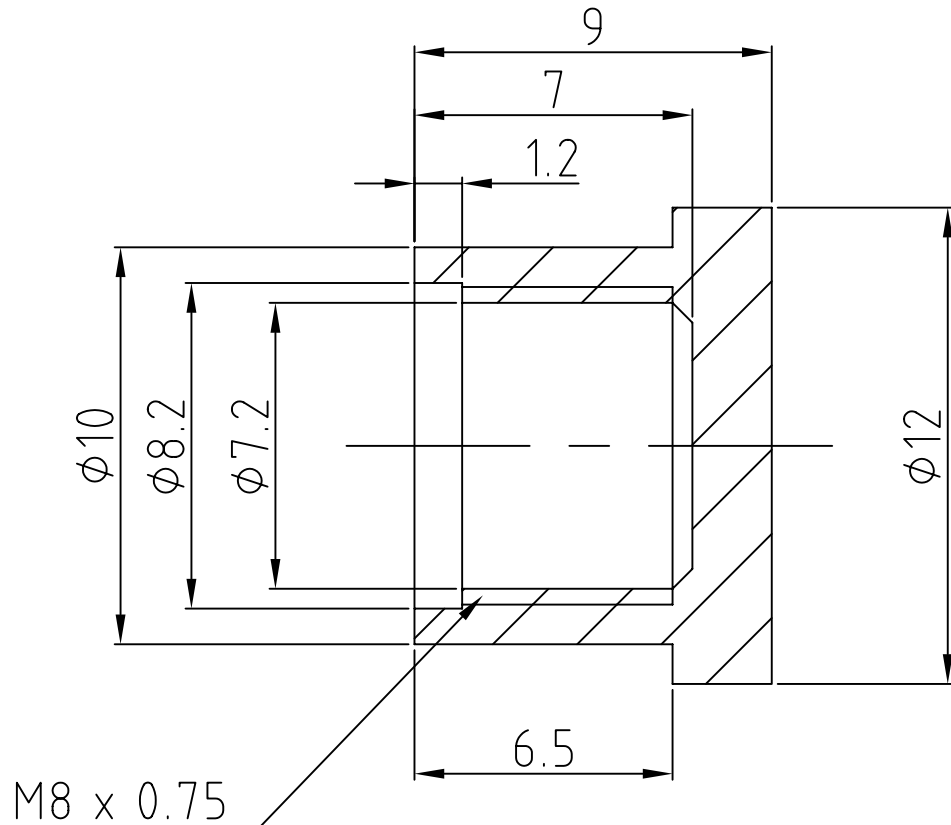
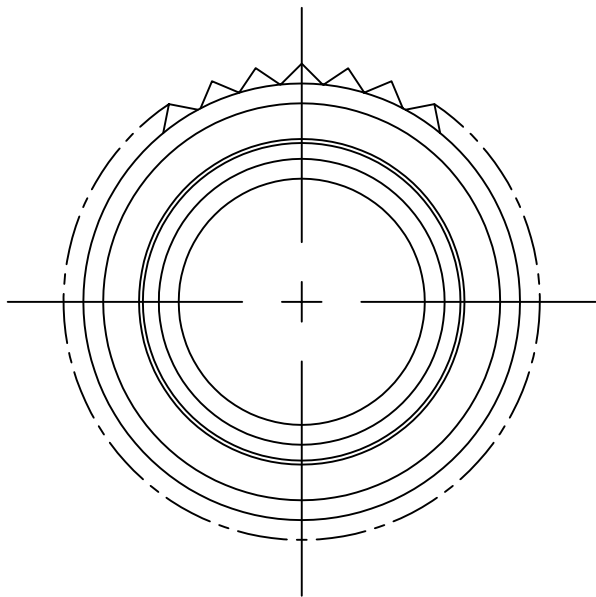


3rd ANG PROJECTION

ALL DIMS IN MM UNLESS STATED

REV	DESCRIPTION	DATE	APPROVED
1	INITIAL ISSUE	14/08/96	DNL
2	MATL. SPEC CHANGE	19/12/01	CN10



NOTES:

**EUROPLUS FIBRE OPTICS**  
 Thompson Drive, AIA, Rendlesham, Woodbridge, Suffolk IP12 2TW  
 Tel: (01394) 445100 Fax: (01394) 445109

GEN TOLS 0 = +/-0.5 0.0 = +/-0.3 0.00 = +/-0.1	DESCRIPTION FC PLASTIC DUST CAP
---------------------------------------------------------	------------------------------------

MATERIAL H.D.P.E.	THIS DOCUMENT CONTAINS PROPRIETARY INFORMATION WHICH SHALL NOT BE REPRODUCED, TRANSFERRED TO OTHER DOCUMENTS, DISCLOSED TO OTHERS USED FOR MANUFACTURING OR ANY OTHER PURPOSE WITHOUT THE WRITTEN AUTHORISATION OF EUROPLUS FIBRE OPTICS Ltd.	DRAWN CDD	DATE 150796	SIZE	FILE NAME	DWG. No	REV.
FINISH CBGF		CHKD DNL	DATE 150796		0203004	EFA02 03 004	2
ICE No:		DO NOT SCALE DRAWING	SCALE 5:1	SHEET 1 of 1			